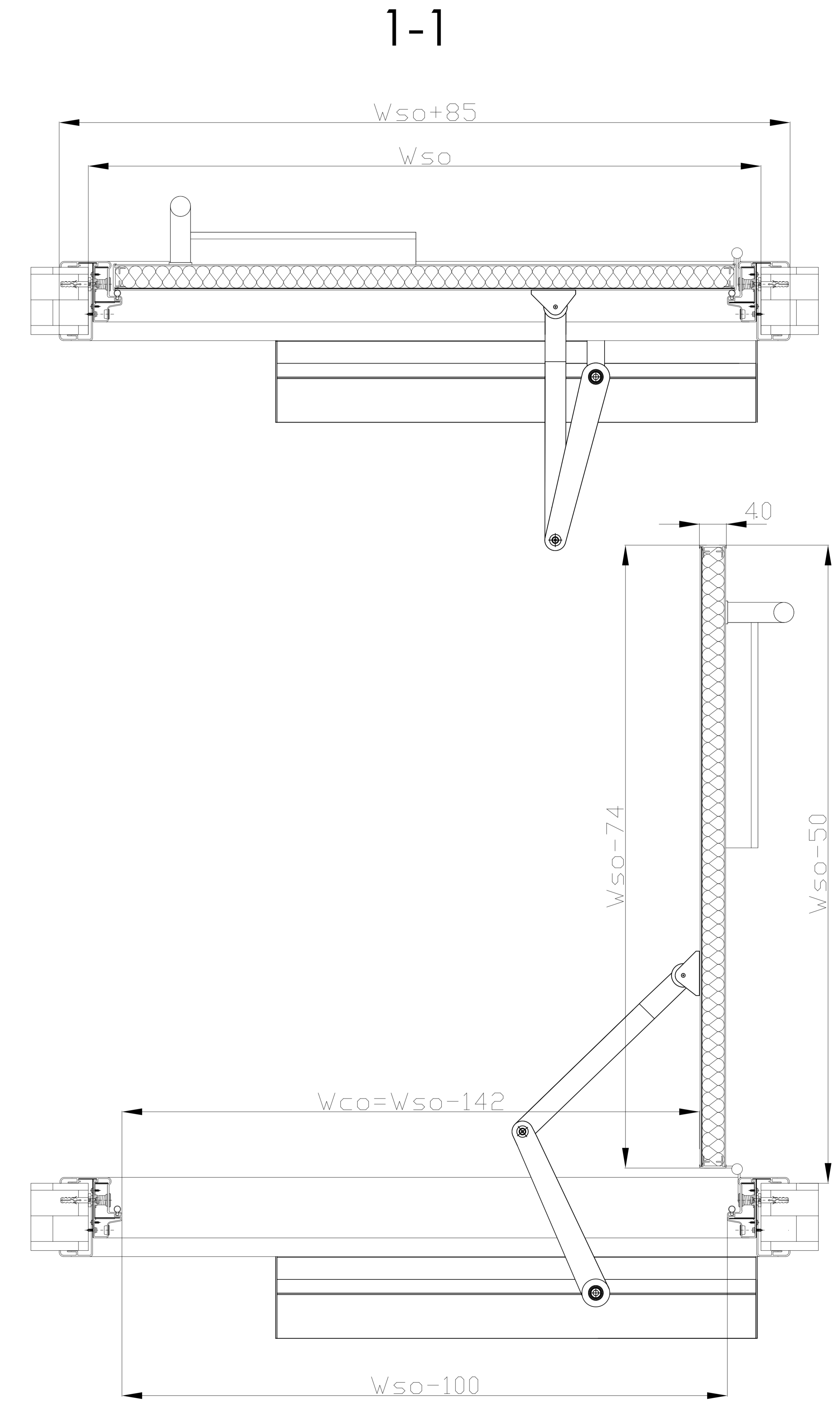
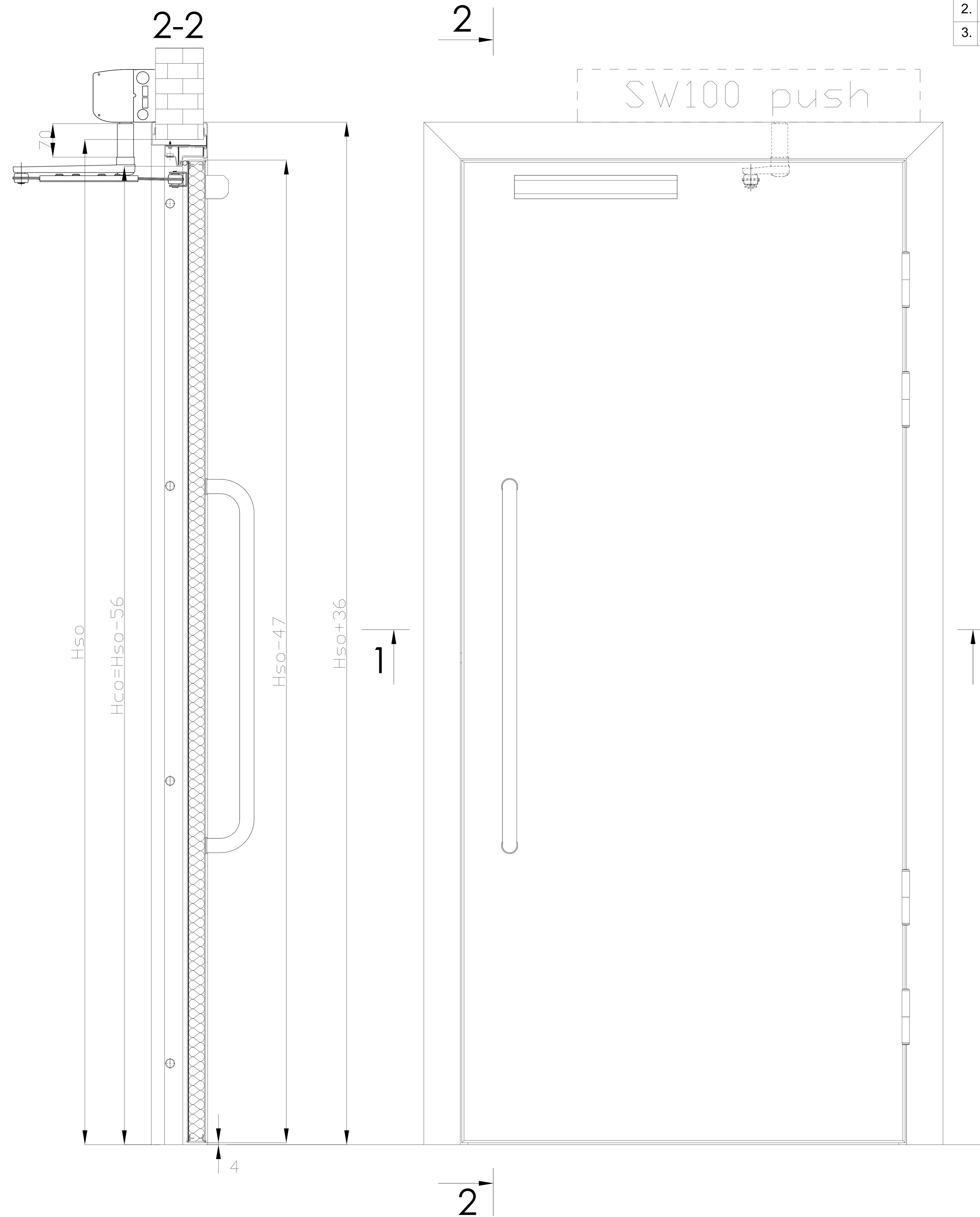


CHANGE HISTORY TABLE

No	Rev.	Modification description	Date	Initials
1.	01	Initial Release	29-11-2013	AD
2.	02			
3.	03			



Contact address:
THERMOD AB
 Söderborgsvägen 32
 SE-671 95 Klässbol, Sweden
 tel. (0)570 72 74 70
 fax. (0)570 72 74 71
 info@thermod.se

Drawing name:
ID, two sided cover, mounting for wall, SW 100 push automatics, with lead inserts (for RTG)
 Date: 29-11-2013
 Drawn by: A.Dziewialtowski

Drawing number:
010-029-00
 Scale: 1:10
 Print format: A2
 Revision: 01